

AQUA-RAIL Safety Handrail

Installation Instructions

Step 1

Determine the desired rail locations on your spa cabinet, i.e. which side of the steps you require it.

Step 2

Slide the two Brackets (B) on to the Handrail Arm (A) and roughly position as of (See Fig. 1)

Step 3

Using the Bolts (C) lightly tighten the Bracket to the Handrail from the back of the Bracket, through the holes provided. (See Fig. 2)

Step 4

Offer the Aqua-Rail to the cabinet and check the position of the Brackets. The top Bracket needs to be positioned slightly under the acrylic shell and the bottom Bracket near the bottom of the Handrail.

Step 5

Once you have adjusted the position of the Brackets on the Handrail make sure you tighten the Bolts (C) so the Handrail is secure (See Fig.3)

Step 6

Mount the two bracket (B) (making sure it's vertical and straight) on the cabinet using the screws provided. (See Fig. 2)

Note: To prevent splitting of the cabinet pre-drill screw holes with 1/8" drill bit.

Step 7

Snap on the black Screw End Caps

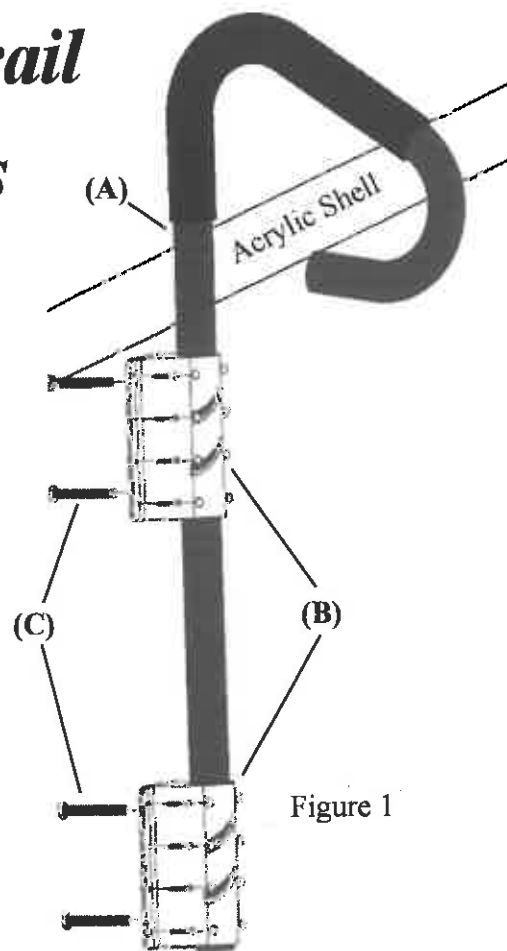


Figure 1

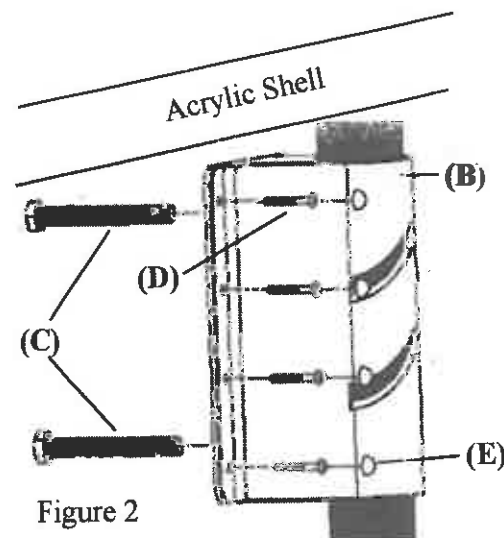


Figure 2

ITEM	PART#	DESCRIPTION	QYY
A	HR00001	HAND RAIL ARM	1
B	HR00002	BRACKET	2
C	HR00003	BOLTS	4
D	HR00004	BRACKET SCREWS	16
E	HR00005	SCREW END CAPS	16

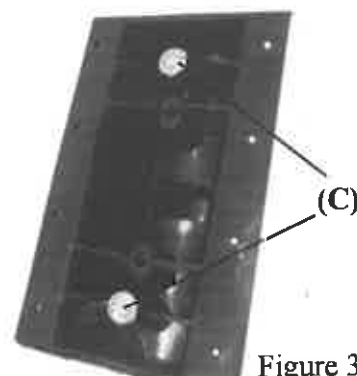


Figure 3